

CARACTERÍSTICAS

- Sirene de alta potência 120 dB
- 03 estágios de alarme
- 42 tipos de sons selecionáveis
- Sirene do tipo magnética (Altofalante)
- Ajuste de volume



Eaton 7011124FUL-0012X

Código	Alimentação
LR4266-24V	24 Vcc
LR 4266-AC	90 ~ 240 Vac

CARACTERÍSTICAS TÉCNICAS

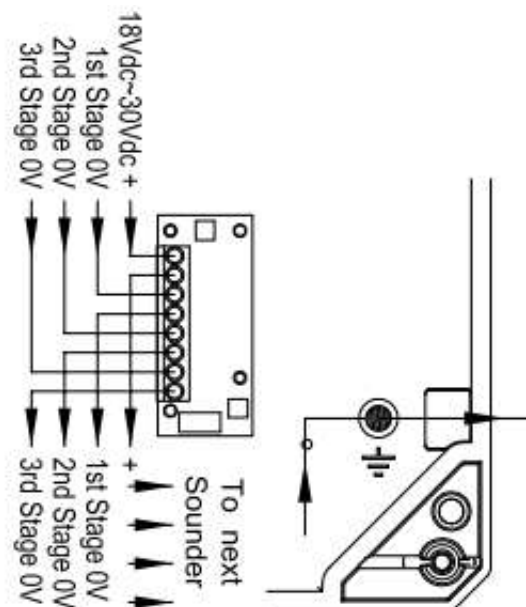
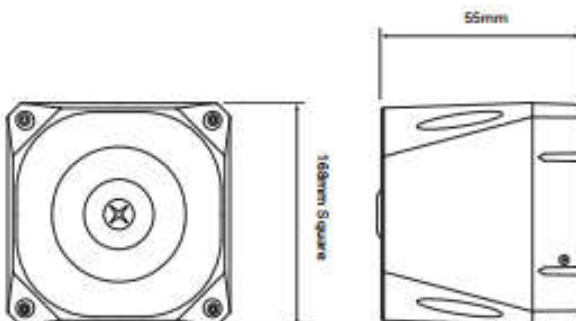
Tensão de alimentação	Conforme modelo
Grau de proteção	IP66
Consumo máximo	1,1A
Temperatura de operação	-25 a +75°C
Dimensões	16,8 x 15,5 cm
Potência	Até 120 dB
Cor	Vermelha
Material	ABS

O PRODUTO

Sirene de alta potência do tipo eletromagnética com grau de proteção IP66, multisons.

Adequada para ambientes industriais e agressivos.

Devido a grande variedade de sons é possível selecionar um som diferente dos já existentes na planta evitando assim confusões.

DIMENSÕES

1st & 2nd Tone Bank	3rd Tone bank	Setting (0=Open)	Tone Description				Asserts 110			Asserts 120			
			Pattern	Frequency (Hz)	Rate	Market	Description	Average current @ max vol @ 24VDC	24Vdc on axis @1M	EN54-3 30Vdc see notes	Average current @ max vol @ 24VDC	24Vdc on axis @1M	EN54-3 30Vdc see notes
A.1	A14	123456	Alternating	970 then 800	2Hz (250ms-250ms)	EVIAN	Steady	108	111	117	450	117	117
A.2	A14	111110	Sweep	800 to 970	1Hz (7fs)			103	112	120	450	120	120
A.3	A14	111101	Sweep	800 to 970	Steady			105	112	112	450	120	116
A.4	A9	111100	Continuous	2850	Steady			122	106	109	445	109	109
A.5	A4	111011	Sweep	2400 to 2850	7Hz			119	103	109	447	109	109
A.6	A4	111010	Sweep	2400 to 2850	1Hz			121	105	110	446	110	110
A.7	A14	111001	Slow whoop	500 to 1200	3s sweep, 0.5 s silence, then repeat (rep)	Slow Whoop Netherlands		115	111	112	340	119	116
A.8	A14	111000	Sweep (DIN)	1200 to 500	1Hz	Din / PFEER (PAPA)		115	111	112	430	119	116
A.9	A4	110111	Alternating	2850 then 2400	2Hz (250ms-250ms)			121	108	112	450	112	112
A.10	A14	110110	Intermittent	970	0.5Hz (1s On/1s Off)	PFEER alert		71	108	108	228	117	117
A.11	A14	110101	Alternating	970 then 800	1Hz (500ms-500ms)			106	109	116	375	116	116
A.12	A4	110100	Intermittent	2850	0.5Hz (1s On/1s Off)			89	107	109	235	109	109
A.13	A14	110011	Intermittent	970	0.8Hz (250ms On/1s Off)	ASP		35	108	117	100	117	117
A.14	A8	110010	Continuous	970	Steady	PFEER - Toxic gas		104	109	111	450	117	115
A.15	A14	110001	Alternating	440 then 554	100ms-400ms	France NPS 32 S 32/001		76	106	115	294	115	115
A.16	A14	110000	Intermittent	660	3.3Hz (150ms On/150ms Off)	Swedish (Air raid)		60	106	114	232	114	114
A.17	A14	101111	Intermittent	660	0.28Hz (1.2s On/1.2s Off)	Swedish (Local warning)		88	106	115	220	115	115
A.18	A14	101110	Intermittent	660	0.05Hz (6.2s On/1.2s Off)	Swedish (Pfe-mess)		101	106	115	150	115	115
A.19	A1	101101	Continuous	660	Steady	Swedish (Air clear)		103	107	116	429	116	116
A.20	A19	101100	Alternating	440 then 554	0.5Hz (1s On/1s Off)	Swedish (Turn out)		83	106	115	312	115	115
A.21	A4	101011	Intermittent	660	1Hz (500ms-500ms)	Swedish		66	106	115	220	115	115
A.22	A4	101010	Intermittent	2850	4Hz (500ms-500ms)			83	105	108	286	108	108
A.23	A14	101001	Sweep	800 to 970	50Hz			102	109	117	419	117	117
A.24	A4	101000	Sweep	2400 to 2850	50Hz			120	105	110	440	110	110
A.25	A14	100111	Intermittent	970	3 x 500ms pulses followed by 1.5s silence then repeat	ISO 8207/US Temporal		62	109	117	180	117	117
A.26	A4	100110	Intermittent	2850	3 x 500ms pulses followed by 1.5s silence then repeat	ISO 8207/US Temporal		64	107	109	180	109	109
A.27	A6	100101	Continuous	4000	Steady			109	101	105	450	105	105
A.28	A14	100100	Alternating	970 then 800	2Hz (250ms-250ms)			106	109	116	414	116	116
A.29	A14	100011	Alternating	950 then 850	2Hz (250ms-250ms) (Symptom tones)			104	109	111	444	117	115
A.30	A14	100010	Alternating	510 then 610	2Hz (250ms-250ms) (Squabbling Micro tones)			96	107	109	370	116	113
A.31	A14	100001	Sweep	300 to 1200	1Hz			84	110	118	285	118	118
A.32	A3	100000	Continuous	Bell	Steady	See attached for waveform details		120	111	117	450	117	117
A.33	A14	011111	Intermittent	Bell	3 x 500ms pulses followed by 1.5s silence then repeat	BEI 7 US Temporal		69	111	117	180	117	117
A.34	A4	011110	Alternating	1000 then 2000	1Hz (500ms-500ms)	Singapore		112	107	115	450	115	115
A.35	A14	011101	Intermittent	420	8 step ramped start pulsed @ 0.825S ON/0.625S OFF	Australian alert		46	108	116	140	116	116
A.36	A14	011100	Sweep	500 to 1200	Sweep 3.75s followed by 0.25s gap	Australian evic		91	109	117	340	117	117
A.37	A14	011011	Sweep	1400 to 1800	Sweep up 1s, sweep down 0.5s	NF C 38-265		122	108	116	448	116	116
A.38	A14	011010	Sweep	500 to 1200	Sweep UP & DOWN over 3s	Siren		94	109	117	310	117	117
A.39	A14	011001	Intermittent	720	0.7s ON, 0.3OFF	German ind alarm		90	110	117	310	117	117
A.40	A14	011000	Sweep	422 to 775	Sweep for 0.85s, 1s delay, repeat	NFPA Whooop		60	109	118	180	118	118
A.41	A3	010111	Continuous	470	Steady	Horn (USA)		85	104	114	340	114	114
A.42	A3	010110	Continuous	370	Steady	Air horn (USA)		76	104	113	272	113	113