

RoLP Maxi Solista - Sounder with LED

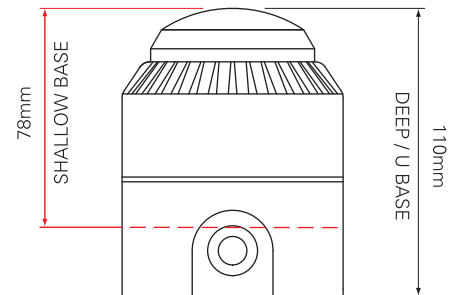
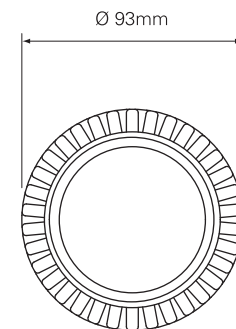
The RoLP Maxi Solista is an enhanced version RoLP Solista providing a higher sound output on six key alarm tones. This is an ideal audible and visual alarm for use where higher noise levels require the use of a more powerful sounder.



Technical Specification

Voltage	18 - 28Vdc
Current	43mA (Typical Tone 3)
Sound Output	106dB(A) (Typical Tone 3)
Tones	32
Light Output	> 0.5cd
Flash Rate	1Hz
Volume Control	10dB
Monitoring	Reverse polarity
Temperature	- 10°C to + 55°C
Protection	IP54 (s)* IP65 (d)*
Construction	ABS, PC lens
Weight	0.3Kg
Colours	Red or white
Flash Colour	Red

(s)* Shallow Base
(d)* Deep / U Base



Features

- Low current – LED technology
- Single installation point
- 32 tones (user Selectable)
- Two stage alarm

Benefits

- Reduced current consumption vs. Xenon alternative
- Beacon and high output sounder in one package
- Fire approved and general signalling tone options
- Alert and alarm function

Reference

ROLPX/SB/RL/R/S
ROLPX/SB/RL/R/D
ROLPX/SB/RL/R/U

Catalogue No.

8210119FULL-0001
8210130FULL-0002
8210121FULL-0003

Description

RoLP Maxi Sounder Beacon, Red Lens, Red Body, Shallow base
RoLP Maxi Sounder Beacon, Red Lens, Red Body, Deep base
RoLP Maxi Sounder Beacon, Red Lens, Red Body, U Base

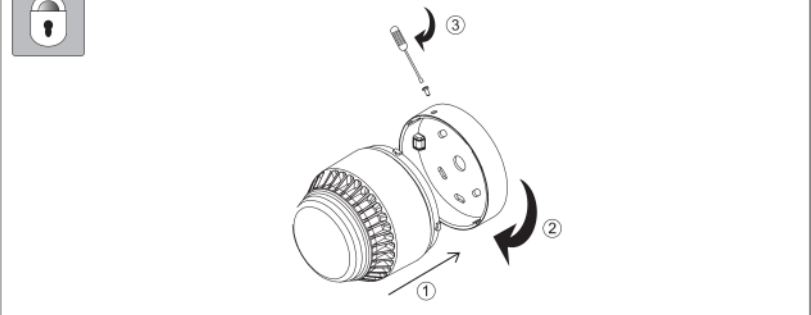
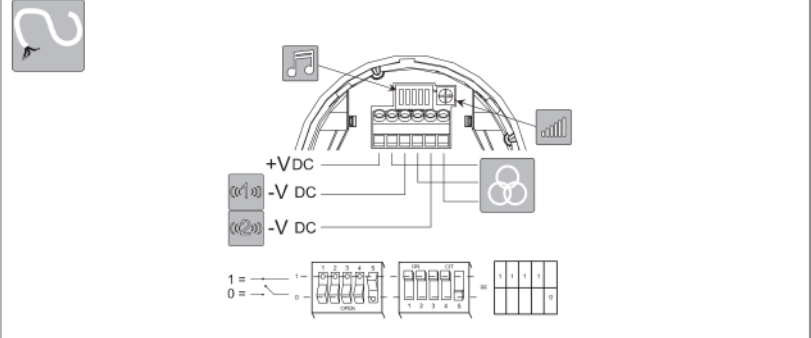
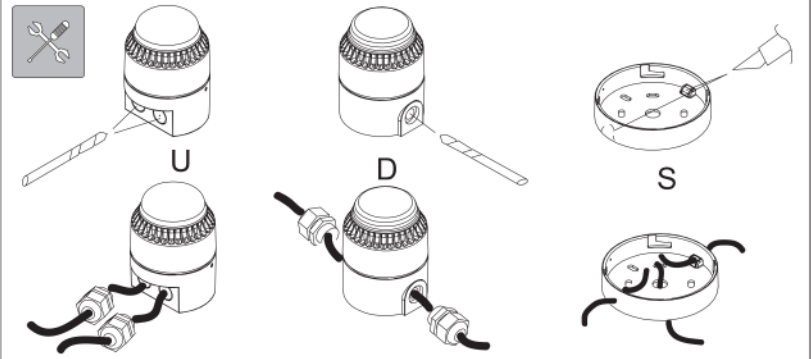
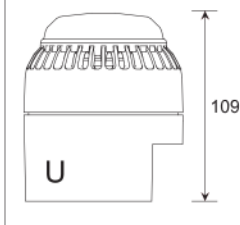
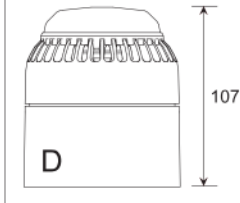
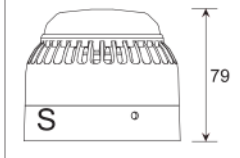
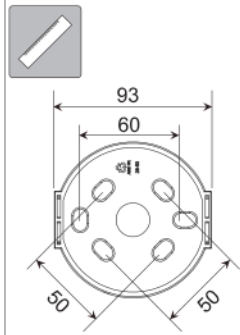
RoLP Maxi Solista



Roshni LP Solista (ROLPL) : 0832-CPD-0132 (18~28V)
 EN54-3 Fire Alarm Device - Sounder
 Dispositif d'alarme incendie EN54-3 - Avertisseur d'incendie
 EN54-3 Feueralarmgerät - Töner
 Dispositivo di allarme antincendio a norma EN54-3 - Sirena
 EN54-3 Brandalarm - sounder
 Dispositivo de alarma de incendios EN54-3 - Timbre de alarma
 EN54-3 Brandvarnare - Signalgivare

	EN54-3
	24V _{nom} (18 ~ 28VDC) 9 ~ 28V DC
	36 mA max
	0.28mm ² - 2.5mm ²
	Type A - 10 °C - +55 °C
	ABS V0
	Type A = IP21C
	6 32

Product exceeds minimum requirements of EN54-3
 See www.fulleon.com
 Le produit dépasse les exigences minimum de EN54-3
 Voir www.fulleon.com
 Das Erzeugnis erfüllt die Mindestanforderungen von EN54-3.
 Siehe www.fulleon.com
 Il prodotto supera i requisiti minimi previsti dalla norma EN54-3
 Vedi www.fulleon.com
 Product overtreft de minimale vereisten van EN54-3.
 Zie www.fulleon.com
 El producto excede los requisitos mínimos de la norma EN54-3
 Véase www.fulleon.com
 Produkten överträffar minsta krav enligt EN54-3
 Se www.fulleon.com



							@20 °C		
							mA	dB(A)	EN54-3 Min SPL @ 28Vdc @ Max Volume @ Loudest note dB(A)
1	14	11111		800 & 970Hz	2Hz (250ms~250ms)	BS Fire Tone	19	100	*
2	14	11110		800 & 970Hz	7Hz (7/s)	BS Fire Tone	19	101	*
3	14	11101		800 & 970Hz	1Hz (1/s)	BS Fire Tone	19	101	95
4	14	11100		2850Hz	Steady		33	110	*
5	4	11011		2400 ~ 2850Hz	7Hz		31	110	*
6	4	11010		2400 ~ 2850Hz	1Hz		31	110	*
7	14	11001		300 ~ 1200Hz	3s Sweep, 0.5s silence, then repeat	Dutch Fire Tone	21	98	97
8	14	11000		1200 ~ 500Hz	1Hz	DIN Tone	17	98	94
9	4	10111		2400 & 2850Hz	2Hz (250ms~250ms)		31	109	*
10	14	10110		970Hz	0.5Hz (1s On / 1s Off)		13	100	*
11	14	10101		800 & 970Hz	1Hz (500ms~500ms)	BS Fire Tone	19	100	*
12	4	10100		2850Hz	0.5Hz (1s On / 1s Off)		25	109	*
13	14	10011		970Hz	0.8Hz (250ms On / 1s Off)		9	96	*
14	14	10010		970Hz	Steady	BS Fire Tone	21	101	95
15	14	10001		554 & 440Hz	100ms ~ 400ms	French Fire Tone	13	93	*
16	16	10000		660Hz	3.3Hz (150ms On / 150ms Off)	Swedish Fire Tone	10	86	*
17	17	01111		660Hz	0.28Hz (1.8s On / 1.8s Off)	Swedish Fire Tone	13	88	*
18	18	01110		660Hz	0.05Hz (13s Off / 6.5Hz On)	Swedish Fire Tone	15	88	*
19	19	01101		660Hz	Steady	Swedish Fire Tone	15	89	*
20	20	01100		554 & 440Hz	0.5Hz (1s On / 1s Off)	Swedish Fire Tone	14	96	*
21	21	01011		660Hz	1Hz (500ms ~ 500ms)	Swedish Fire Tone	11	87	*
22	14	01010		2850Hz	4Hz (150ms On / 100ms Off)	Pelican Crossing	23	109	*
23	14	01001		800 ~ 970Hz	50Hz	BS Fire Tone	19	101	*
24	4	01000		2400 ~ 2850Hz	50Hz		26	110	*
25	25	00111		970Hz	3 x 500ms pulses followed by 1.5s silence then repeat	ISO 8201	15	99	*
26	26	00110		2850Hz	3 x 500ms pulses followed by 1.5s silence then repeat	ISO 8201	21	108	*
27	27	00101		4000Hz	Steady		36	83	*
28	10	00100		800 & 970Hz	2Hz (250ms ~ 250ms)	BS Fire Tone	18	100	*
29	33	00011		990 & 650Hz	2Hz (250ms ~ 250ms) (Symphoni Tones)	BS Fire Tone	22	99	96
30	35	00010		510 & 610Hz	2Hz (250ms ~ 250ms) (Squashni Micro Tones)	BS Fire Tone	16	96	92
31	31	00001		300 ~ 1200Hz	1Hz		22	96	*
32	32	00000		4000Hz	Steady		36	83	*

(i) Tones certified under the CPD (Fire Alarm Applications) are shown in the column marked EN54-3
 (ii) All other SPL measurements are taken 'on axis' & are not third party verified.
 (iii) Detailed EN54-3 polar SPL measurements are available in M96-024
 (i) Les tons certifiés dans le cadre de la DPC (application alarme incendie) sont indiqués dans la colonne intitulée EN54-3.
 (ii) Toutes les autres mesures NPA sont relevées « sur axe » et ne sont pas vérifiées par un tiers.
 (iii) Les mesures NPA polaires détaillées EN54-3 sont disponibles dans M96-024
 (i) Die nach CPD (Feuermelderanwendung) zertifizierten Töne sind in Spalte EN54-3.
 (ii) Alle anderen Schalldruckmessungen wurden vom akustischen Mittelpunkt ab gelesen und von keiner unabhängigen Stelle verifiziert.
 (iii) Detaillierte Polar-SPL-Messungen gemäß EN54-3 sind erhältlich in M96-024
 (i) I toni della sirena certificati CPD (applicazione allarme antincendio) sono indicate nella colonna contrassegnata con EN54-3.
 (ii) Tutte le altre misurazioni SPL sono state rilevate "sull'asse" e non sono state verificate da terzi.
 (iii) Le misurazioni SPL polari ai sensi della norma EN54-3 sono disponibili in M96-024
 (i) U vindt tonen die onder CPD (brandalarmtoepassing) zijn gecertificeerd, in de kolom waar EN54-3 staat vermeld.
 (ii) Alle andere SPL-afmetingen zijn via de 'as' gedaan en niet door derden geverifieerd.
 (iii) Uitgebreide polaire SPL-afmetingen voor EN54-3 zijn beschikbaar in M96-024

(i) Los sonidos certificados por el CPD (aplicación para alarmas de incendios) se muestran en la columna marcada con EN54-3.
 (ii) Cualquier otra medida del SPL (nivel de intensidad acústica) se toma "sobre el eje" y no está verificada por terceras partes.
 (iii) Las medidas detalladas del SPL polar EN54-3 están disponibles en M96-024
 (i) Signaler som är certifierade för CPD (brandvarnare) visas i kolumnen märkt EN54-3.
 (ii) Alla övriga mätningar av ljudtrycket har genomförts "direkt intill" och är inte bekräftade av tredje part.
 (iii) Detaljerade polära mätningar av ljudtrycket enligt EN54-3 finns under M96-024
 CE marking under the CPD was affixed on: (see batch code on product)
 La marque CE dans le cadre de la DPC a été apposée le : (voir code de lot sur le produit)
 CE-Kennzeichnung unter dem CPD angebracht am: (siehe Chargencode am Erzeugnis).
 La marcatura CE ai sensi della direttiva CPD è stata apposta su: (vedi codice sul prodotto)
 CE-markering under CPD is loegewezen d.d.: (zie batchcode op het product)
 CE-märkning enligt CPD fästes på: (se satskod på produkten)